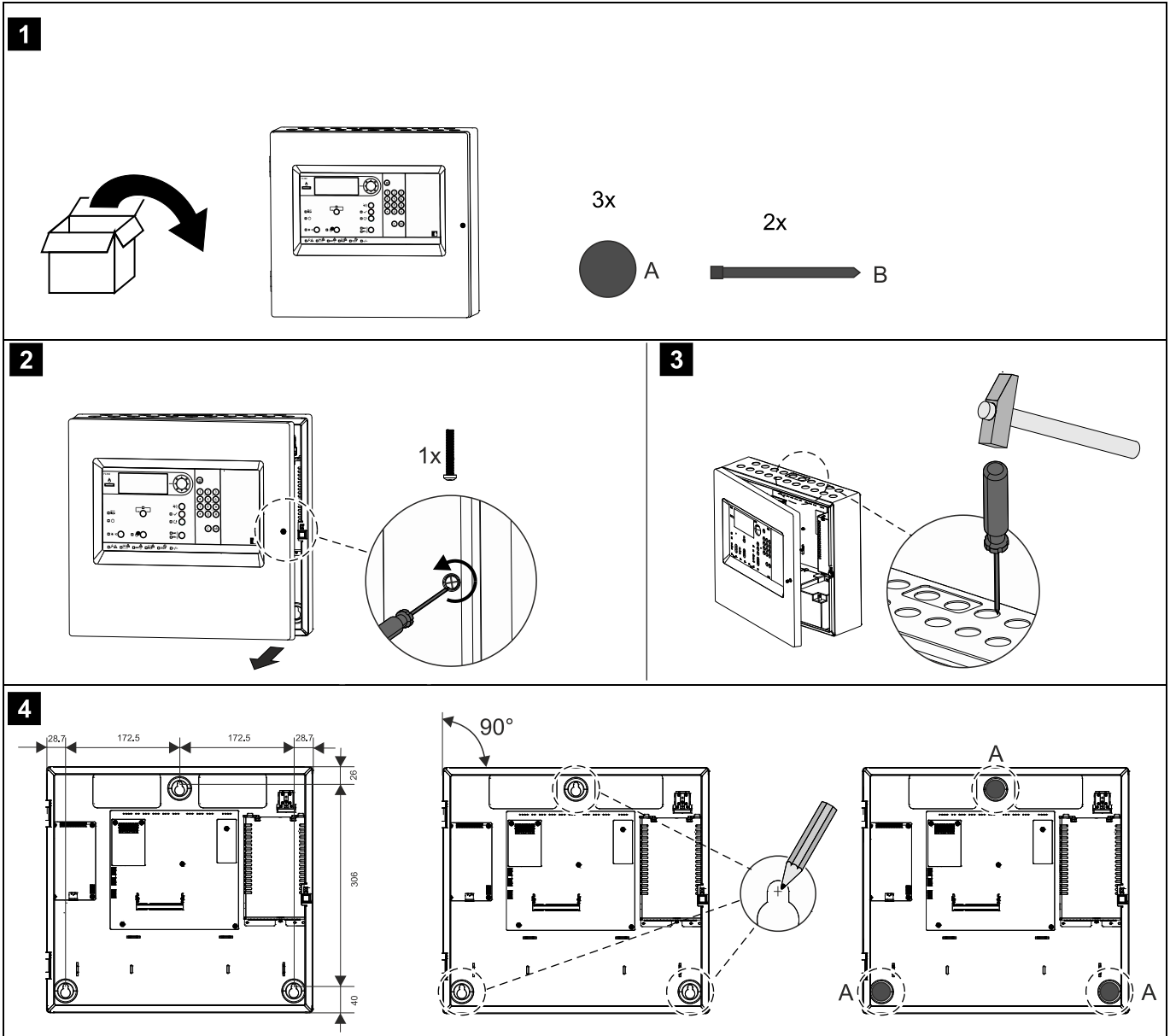
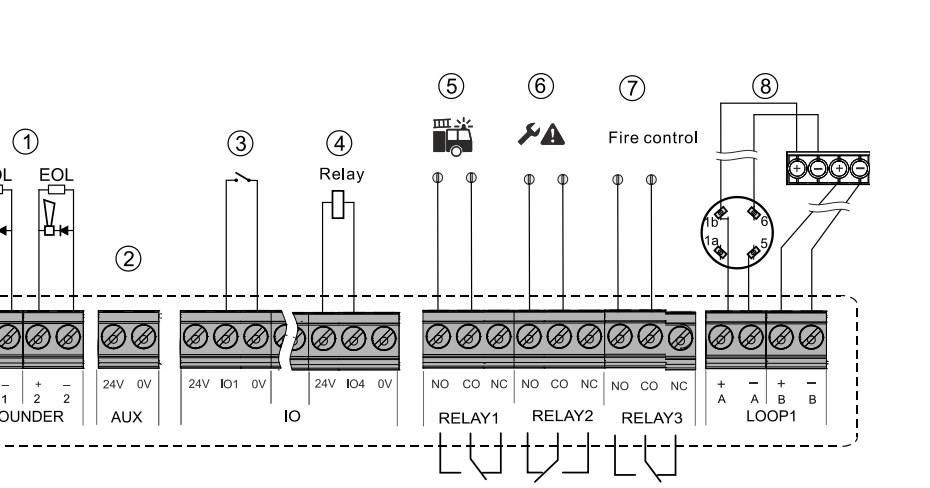
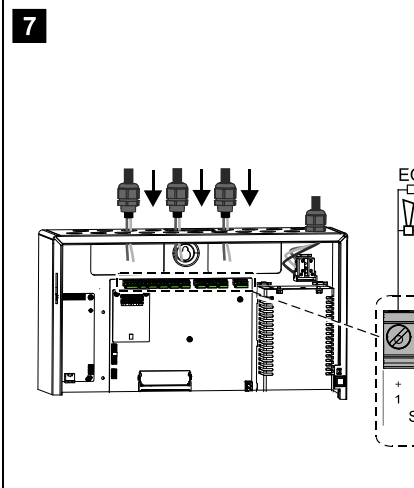
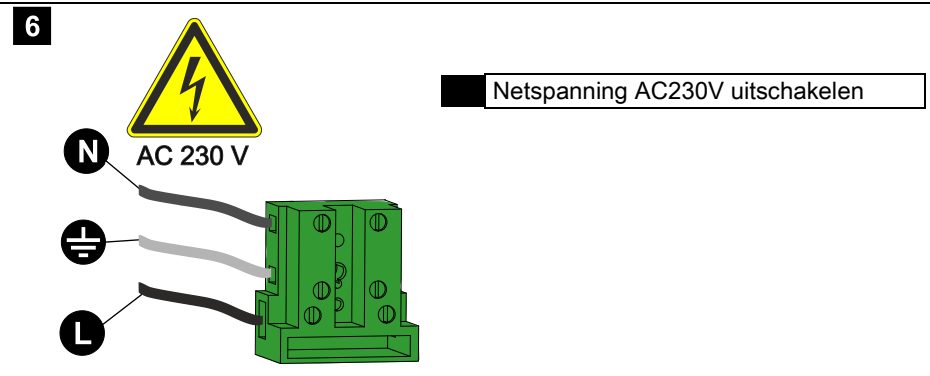
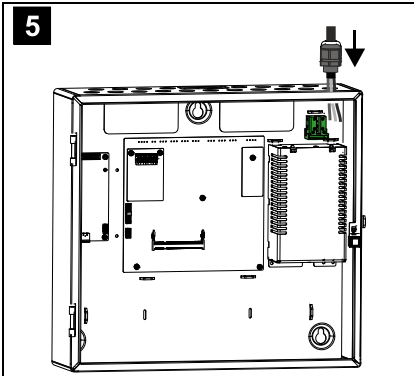


FC361-ZZ / FC361-ZA / FC361-YZ / FC361-YA

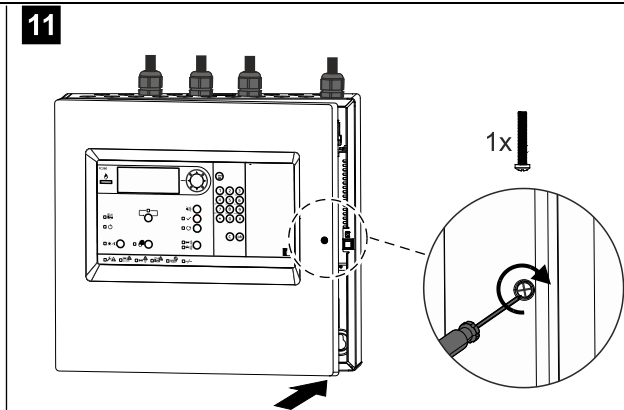
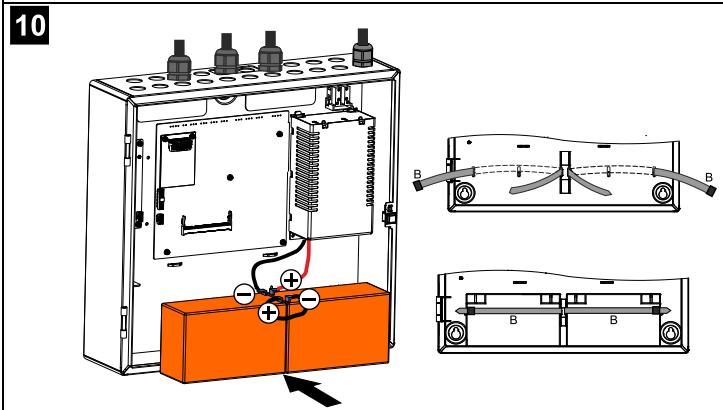
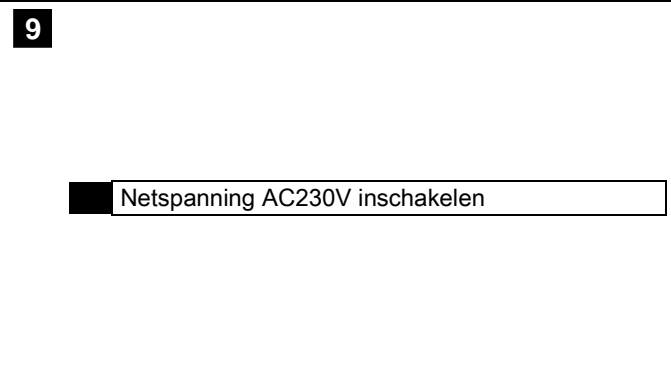
**n** Brandmeldcentrale

## **n** Installatie

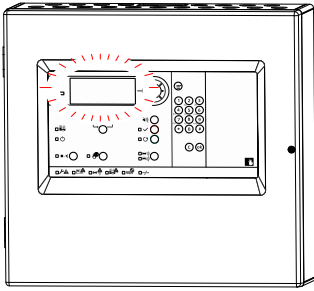




- 8**
- EOL Weerstand 2.2 kΩ
  - Relais Uitgangsmodule FCA1209-Z1
  - 1 Aansluitingen voor bewaakte sturing
  - 2 Aux. voeding DC 24 V / 0.2 A
  - 3 Aansluiting 'Input'
  - 4 Aansluiting 'Nierbewaakte uitgang'
  - 5 Aansluiting 'DRM Brand' uitgang
  - 6 Aansluiting 'DRM Storing' uitgang
  - 7 Aansluiting Brand sturing' uitgang
  - 8 Aansluiting melderlus



12

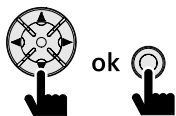


13

Select Country

**Factory setting**

GB: Great Britain  
 IT: Italy  
 NL: With FTO3601-H1(EVAC)  
 NL: Without FTO3601-H1(EV  
 NO: Norway

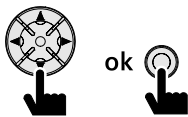


14

Select Language

**English(international)**

English(only for GB)  
 IT: Italian  
 NL: Dutch  
 NO: Norwegian  
 PT: Portuguese



15

08-21-2015 01:08:58 L1

**SIEMENS**

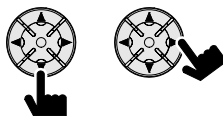
Siemens office  
 Tel: +41-41-724 5555



16

Menu L1

1. System Status  
**2. Login** ▶  
 3. Query Alarm Count  
 4. About



17

Login L1

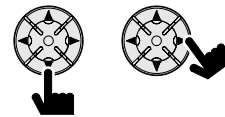
Password: (4 digits)



18

Menu L3

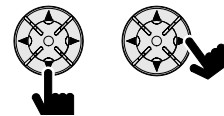
1- System Status  
 2- Operation  
 3- Event Memory  
**6- Engineering** ▶  
 7- Logout  
 8- Query Alarm Count



19

Engineering L3

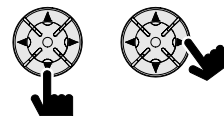
1- Set Date & Time  
 2- Edit Name / Password  
**3- Detector line** ▶  
 4- Calibrate 4M card line  
 5- Alarm counter reset  
 6- Factory set



20

Engineering-Detector line L3

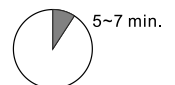
1- Restart  
 2- Power off  
 3- Maintenance  
**4- Auto configuration** ▶  
 5- View / Locate  
 6- Reset detection module

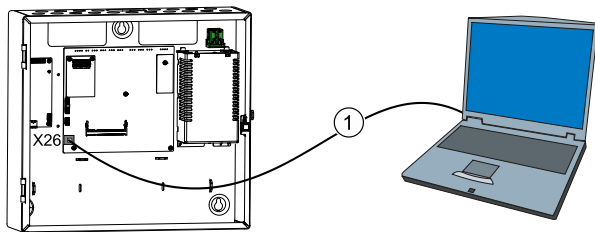


21

Auto configuration L3

Warning:  
 All programmed configuration  
 will be overwritten.  
 Do you still want to continue?  
 Yes (OK) or No (Cancel)



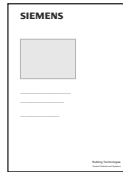
**22**

X26: PC Aansluiting

1: Cable, type CAT 5 or CAT 7, crossover, max.100 m

**23**

**nl** Via een webbrowser 'fc360.siemens.com' ingeven.  
Met de online tool de configuratie ingeven en daarna het systeem testen.



Meer informatie vindt u in het document A6V10421795.

16 **CE** 0786**FC361-YA / FC361-YZ / FC361-ZA / FC361-ZZ**Siemens Switzerland Ltd, Gubelstrasse 22  
CH-6301 Zug, Switzerland  
Technical data: see doc. **A6V10421795**

FC361 - Control and Indicating Equipment incl. FP2015 - 70W/24VDC Power Supply Equipment in fire detection and fire alarm systems installed in buildings

305/2011/EU (CPR): EN 54-2 / EN 54-4 ; 2014/30/EU (EMC): EN 50130-4 / EN 61000-6-3 ; 2014/35/EU (LVD): EN 60950-1 ; 2011/65/EU (RoHS): EN 50581

Declared performance and conformity can be seen in the Declaration of Performance and the EC Declaration of Conformity,  
which is obtainable via the Customer Support center: Tel. +49 89 9221-8000 or <http://siemens.com/bt/download>

DoP No.: 0832-CPR-F1346; DoC No.: CED-FC361

Siemens Switzerland Ltd  
Infrastructure & Cities Sector  
Building Technologies Division  
International Headquarters  
Gubelstrasse 22  
CH-6301 Zug  
Tel. +41 41 – 724 24 24  
[www.siemens.com/buildingtechnologies](http://www.siemens.com/buildingtechnologies)

© 2016 Copyright Siemens Switzerland Ltd  
Data and design subject to change without notice.