

# To replace a Focus II with an Orion light guard

Note: if the pre-reset function or the single/double break function of the Focus are used, they can easily be programmed in a Pluto safety PLC.

Focus II	Adv. function	Orion	
FII-4-xx-150	None	Orion1-4-xx-015-B	Same cables can be used. Some modifications necessary on the receiver side. See following pages.
	Muting/Blanking	-	Consider a Base model with a Pluto PLC.
FII-4-xx-300	None	Orion1-4-xx-030-B	Same cables can be used. Some modifications necessary on the receiver side. See following pages.
	Muting/Blanking	Orion1-4-xx-030-E	Same cable and connections for the transmitter. Different cables for the receiver.
FII-4-xx-450	None	Orion1-4-xx-045-B	Same cables can be used. Some modifications necessary on the receiver side. See following pages.
	Muting/Blanking	Orion1-4-xx-045-E	Same cable and connections for the transmitter. Different cables for the receiver.
FII-4-xx-600	None	Orion1-4-xx-060-B	Same cables can be used. Some modifications necessary on the receiver side. See following pages.
	Muting/Blanking	Orion1-4-xx-060-E	Same cable and connections for the transmitter. Different cables for the receiver.
FII-4-xx-750	None	Orion1-4-xx-075-B	Same cables can be used. Some modifications necessary on the receiver side. See following pages.
	Muting/Blanking	Orion1-4-xx-075-E	Same cable and connections for the transmitter. Different cables for the receiver.
FII-4-xx-900	None	Orion1-4-xx-090-B	Same cables can be used. Some modifications necessary on the receiver side. See following pages.
	Muting/Blanking	Orion1-4-xx-090-E	Same cable and connections for the transmitter. Different cables for the receiver.
FII-4-xx-1050	None	Orion1-4-xx-105-B	Same cables can be used. Some modifications necessary on the receiver side. See following pages.
	Muting/Blanking	Orion1-4-xx-105-E	Same cable and connections for the transmitter. Different cables for the receiver.
FII-4-xx-1200	None	Orion1-4-xx-120-B	Same cables can be used. Some modifications necessary on the receiver side. See following pages.
	Muting/Blanking	Orion1-4-xx-120-E	Same cable and connections for the transmitter. Different cables for the receiver.
FII-4-xx-1350	None	Orion1-4-xx-135-B	Same cables can be used. Some modifications necessary on the receiver side. See following pages.
	Muting/Blanking	Orion1-4-xx-135-E	Same cable and connections for the transmitter. Different cables for the receiver.
FII-4-xx-1500	None	Orion1-4-xx-150-B	Same cables can be used. Some modifications necessary on the receiver side. See following pages.
	Muting/Blanking	Orion1-4-xx-150-E	Same cable and connections for the transmitter. Different cables for the receiver.
FII-4-xx-1650	None	Orion1-4-xx-165-B	Same cables can be used. Some modifications necessary on the receiver side. See following pages.
	Muting/Blanking	Orion1-4-xx-165-E	Same cable and connections for the transmitter. Different cables for the receiver.
FII-4-xx-1800	None	Orion1-4-xx-180-B	Same cables can be used. Some modifications necessary on the receiver side. See following pages.

Focus II	Adv. function	Orion	
	Muting/Blanking	Orion1-4-xx-180-E	Same cable and connections for the transmitter. Different cables for the receiver.
FII-4-xx-1950		-	Use two smaller units instead. Note that Orion1 Extended is easy to connect in cascade.
FII-4-xx-2100		-	Use two smaller units instead. Note that Orion1 Extended is easy to connect in cascade.
FII-4-xx-2250		-	Use two smaller units instead. Note that Orion1 Extended is easy to connect in cascade.
FII-4-xx-2400		-	Use two smaller units instead. Note that Orion1 Extended is easy to connect in cascade.
FII-4-K2-500	None	Orion2-4-K2-050-B	Same cables and connections if EDM is not used.
	Muting	Orion2-4-K2-050-E	Not available before the fall 2015
FII-4-K3-800	None	Orion2-4-K3-080-B	Same cables and connections if EDM is not used.
	Muting	Orion2-4-K3-080-E	Not available before the fall 2015
FII-4-K4-900	None	Orion2-4-K4-090-B	Same cables and connections if EDM is not used.
	Muting	Orion2-4-K4-090-E	Not available before the fall 2015
FII-4-K4-1200	None	Orion2-4-K4-120-B	Same cables and connections if EDM is not used.
	Muting	Orion2-4-K4-120-E	Not available before the fall 2015
FII-4-K1C-500	None	Orion3-4-K1C-050-B	Same cable can be used. Some connections must be modified. See following pages.
	Muting	Orion3-4-K1C-050-E	Not available before the fall 2015
FII-4-K2C-800	None	Orion3-4-K2C-080-B	Same cable can be used. Some connections must be modified. See following pages.
	Muting	Orion3-4-K2C-080-E	Not available before the fall 2015
FII-4-K2C-900	None	Orion3-4-K2C-090-B	Same cable can be used. Some connections must be modified. See following pages.
	Muting	Orion3-4-K2C-090-E	Not available before the fall 2015
FII-4-K2C-1200	None	Orion3-4-K2C-120-B	Same cable can be used. Some connections must be modified. See following pages.
	Muting	Orion3-4-K2C-120-E	Not available before the fall 2015
FII-4-K2-500 D		Orion1-4-30-060-E	Protected height 600 mm instead of 500 mm. Same cable and connections for the transmitter. Different cables for the receiver.
FII-4-K3-800 D		Orion1-4-30-075-E	Protected height 750 mm instead of 800 mm.
		Orion1-4-30-090-E	Protected height 900 mm instead of 900 mm. Same cable and connections for the transmitter. Different cables for the receiver.
FII-4-K4-900 D		Orion1-4-30-090-E	Same cable and connections for the transmitter. Different cables for the receiver.
FII-4-K4-1200 D		Orion1-4-30-120-E	Same cable and connections for the transmitter. Different cables for the receiver.

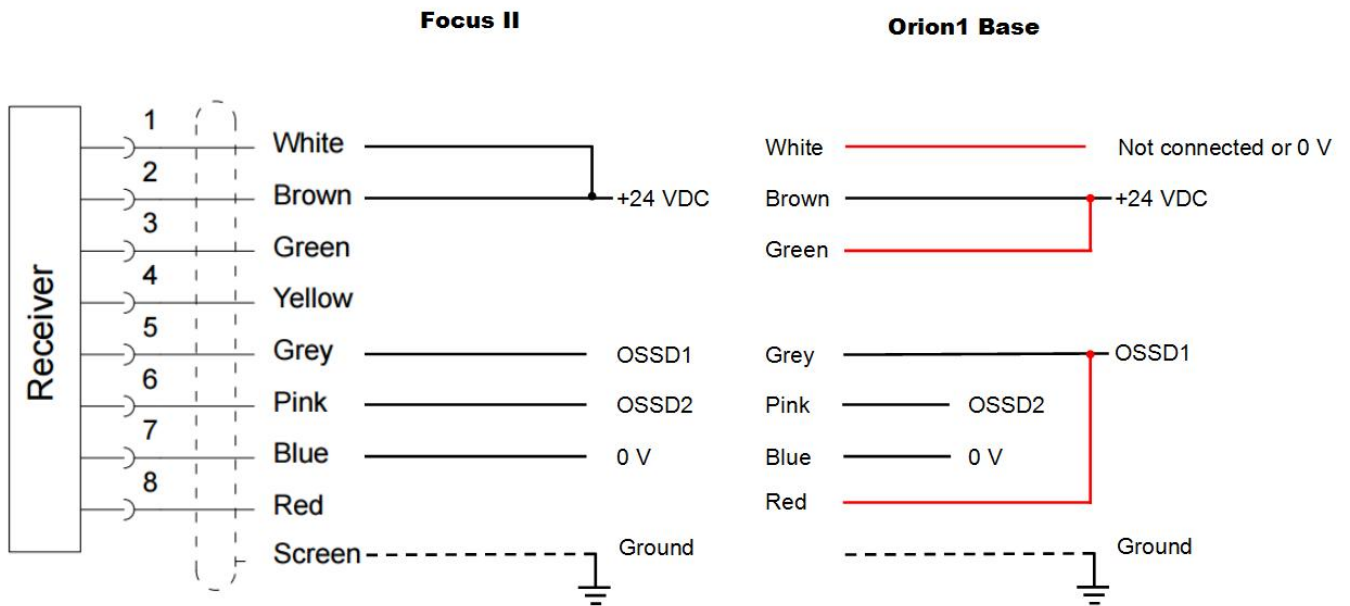
# Focus II to Orion1 Base (Orion1-4-xx-zzz-B)

The same cables can be used for Orion1 Base as for Focus II.

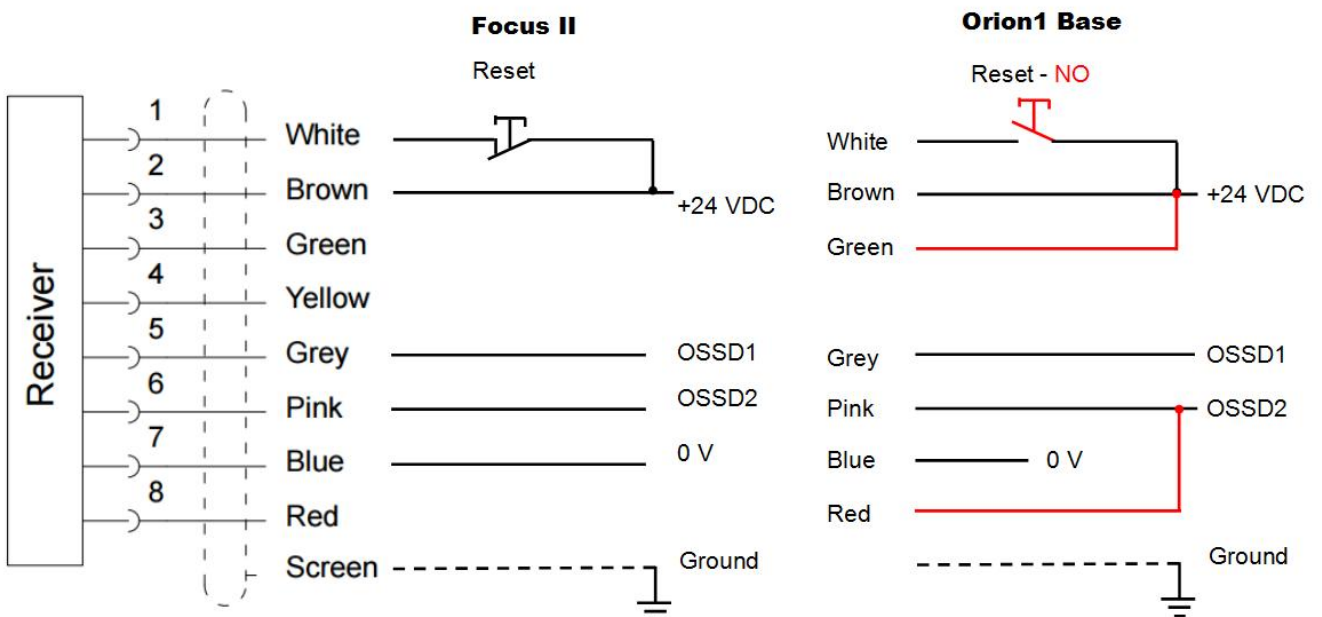
No changes are necessary on the transmitter side.

See below for the necessary changes, in red, on the receiver side.

No reset button connected to the light curtain, no EDM\*



Reset button connected to the light curtain, no EDM\*



\*EDM (External Device Monitoring): monitoring of an actuator, a contactor for example, connected directly to the light guard.

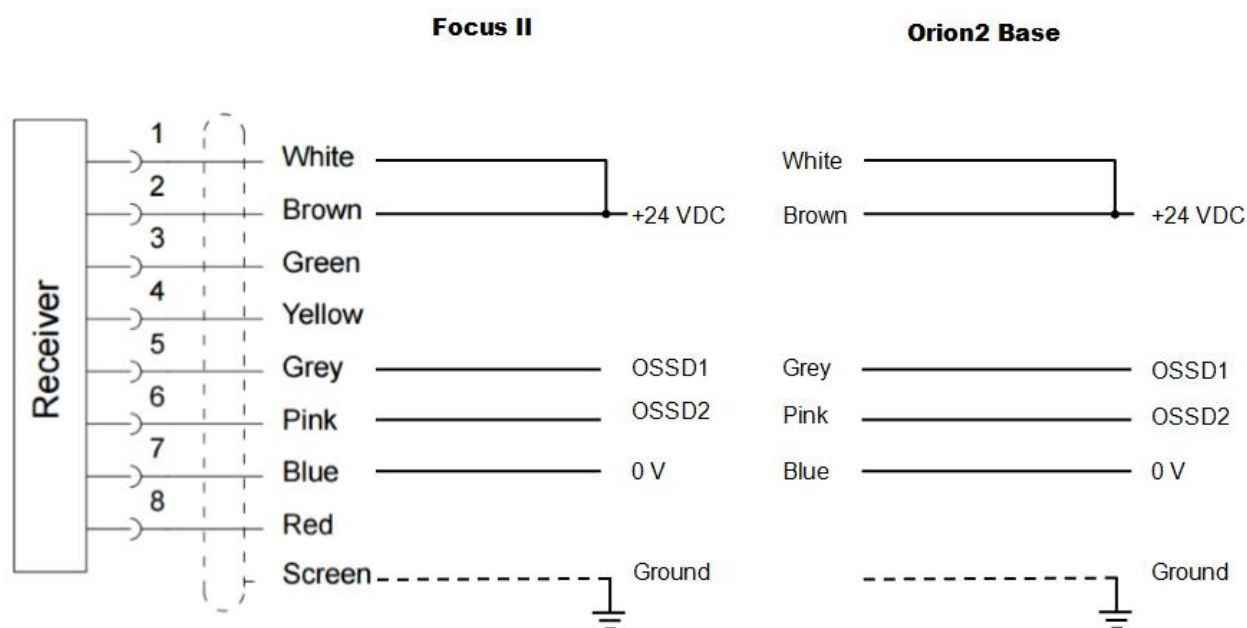
# Focus II to Orion2 Base (Orion2-4-Kx-zzz-B)

The same cables can be used for Orion2 Base as for Focus II.

No changes are necessary on the transmitter side.

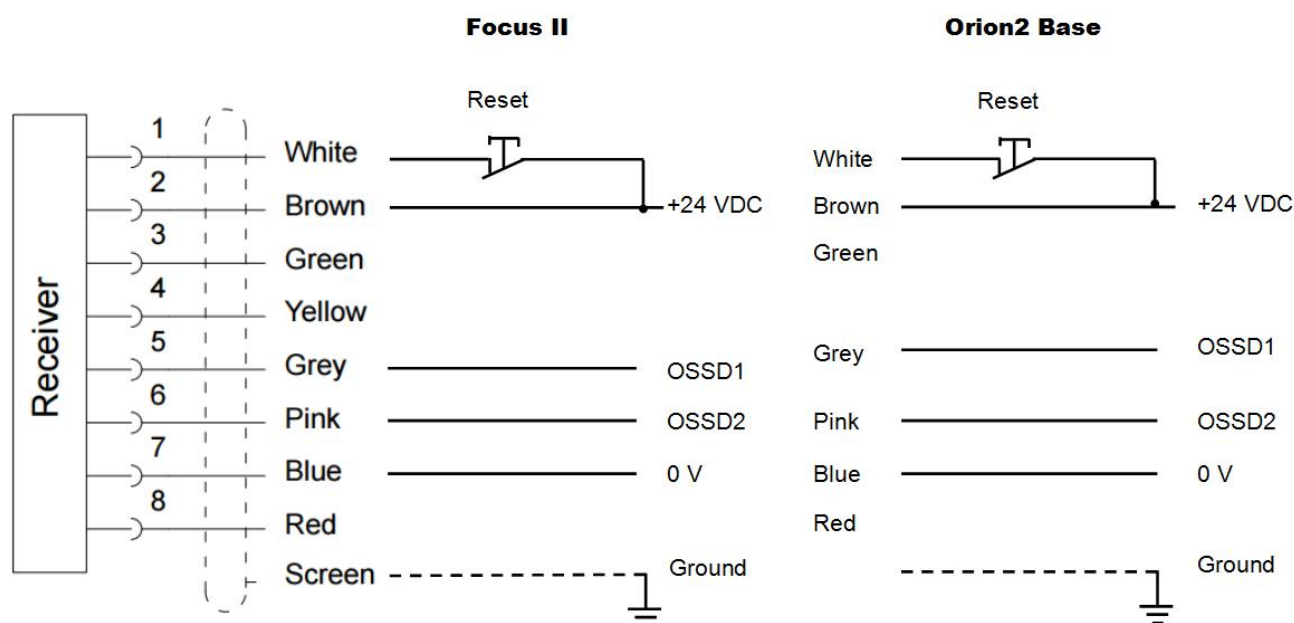
No changes are necessary on the receiver side either if EDM\* is not used.

No reset button connected to the light curtain, no EDM\*



Reset button connected to the light curtain, no EDM\*

Don't forget to place dip-switches 4 and 8 on OFF for manual reset.



\*EDM (External Device Monitoring): monitoring of an actuator, a contactor for example, connected directly to the light guard.

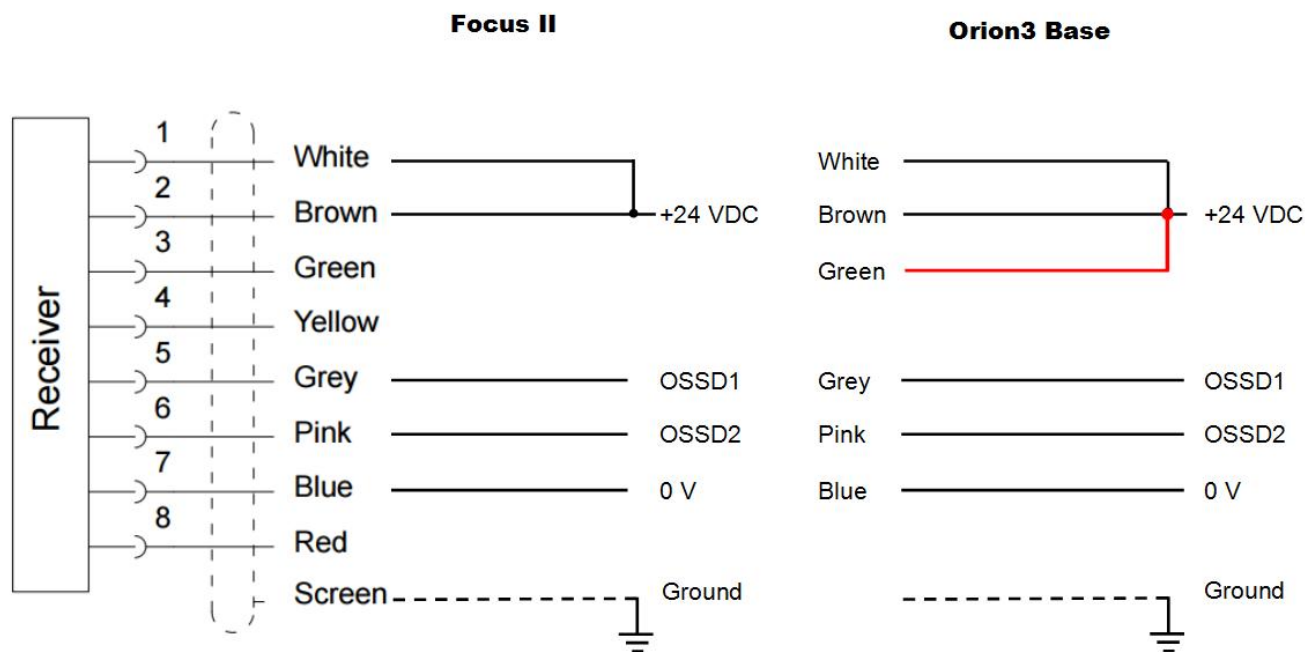
# Focus II to Orion3 Base (Orion3-4-KxC-zzz-B)

The same cables can be used for Orion3 Base as for Focus II.

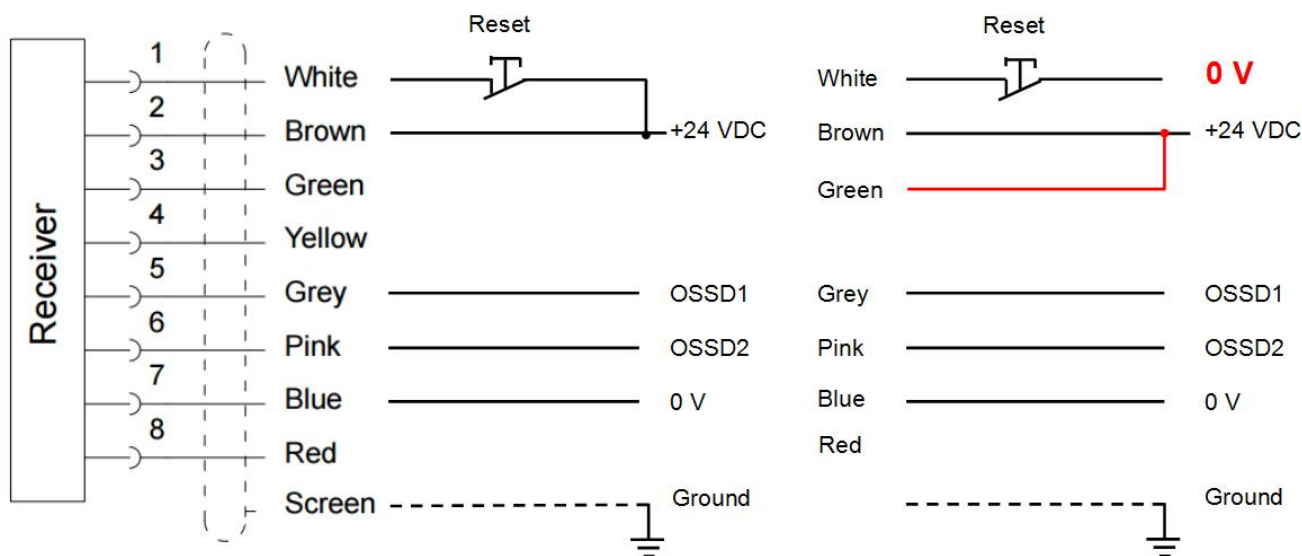
No changes are necessary on the transmitter side.

See below for the necessary changes, in red, on the receiver side

No reset button connected to the light curtain, no EDM\*



Reset button connected to the light curtain, no EDM\*



\*EDM (External Device Monitoring): monitoring of an actuator, a contactor for example, connected directly to the light guard.